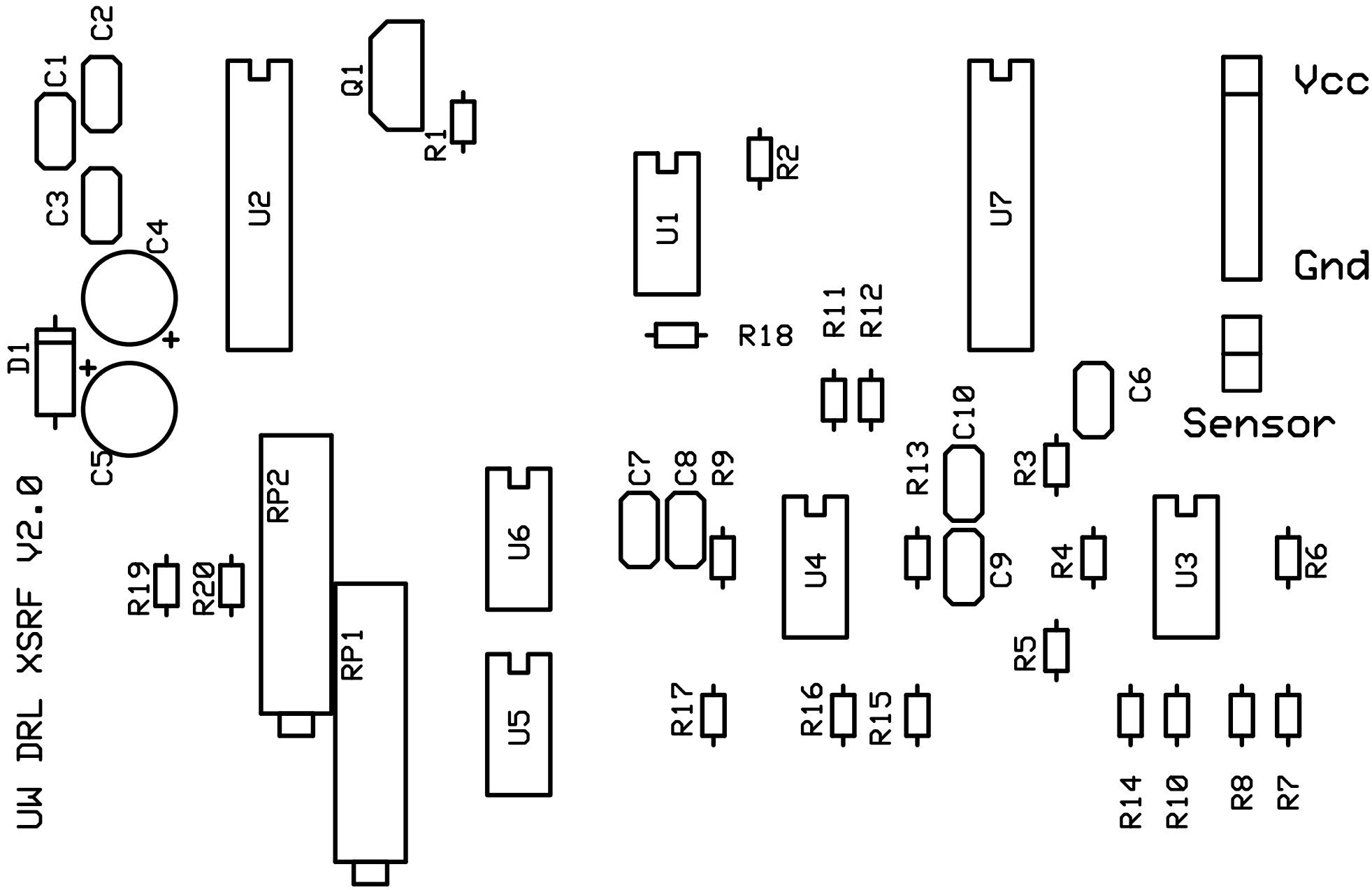
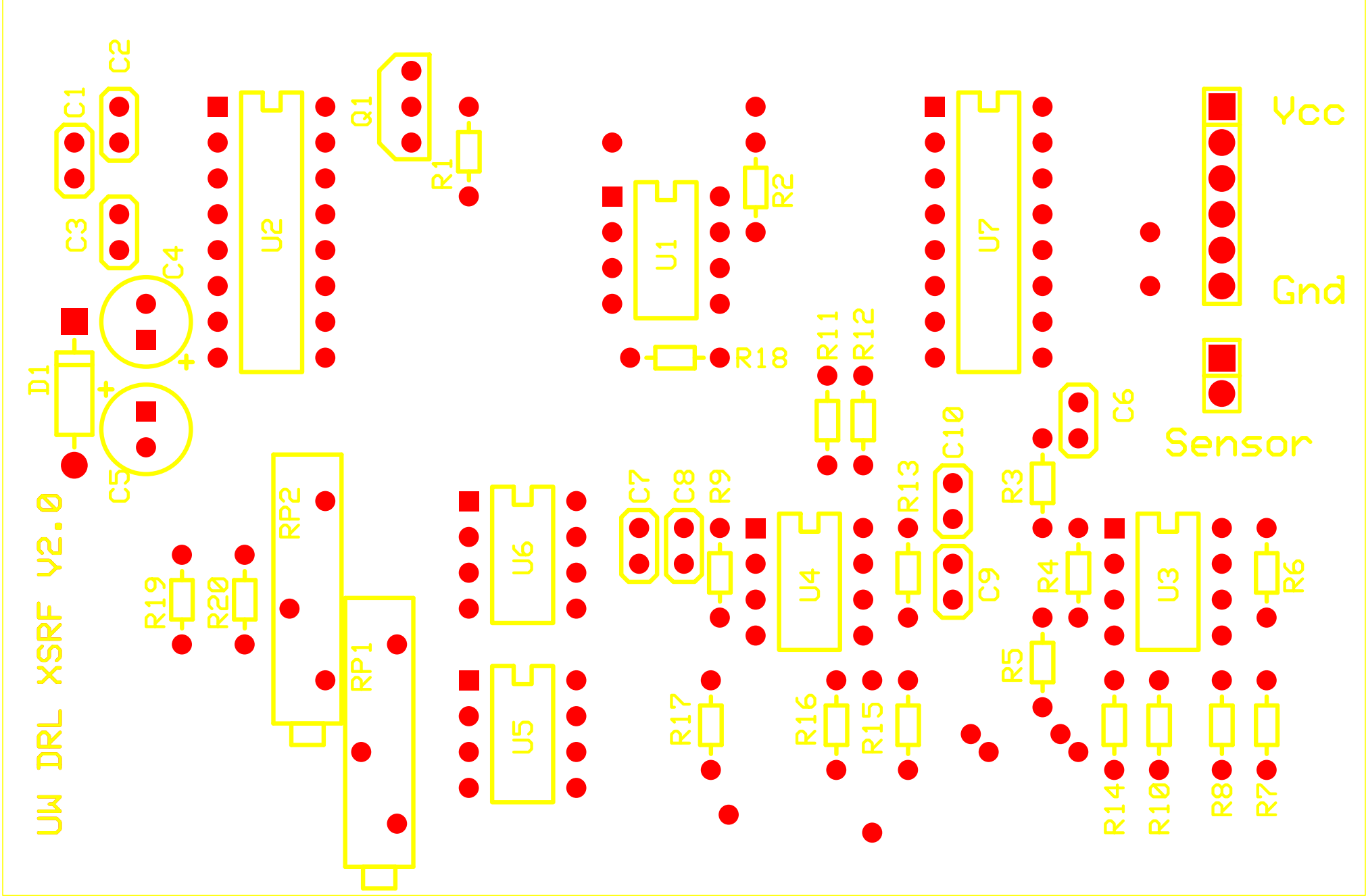
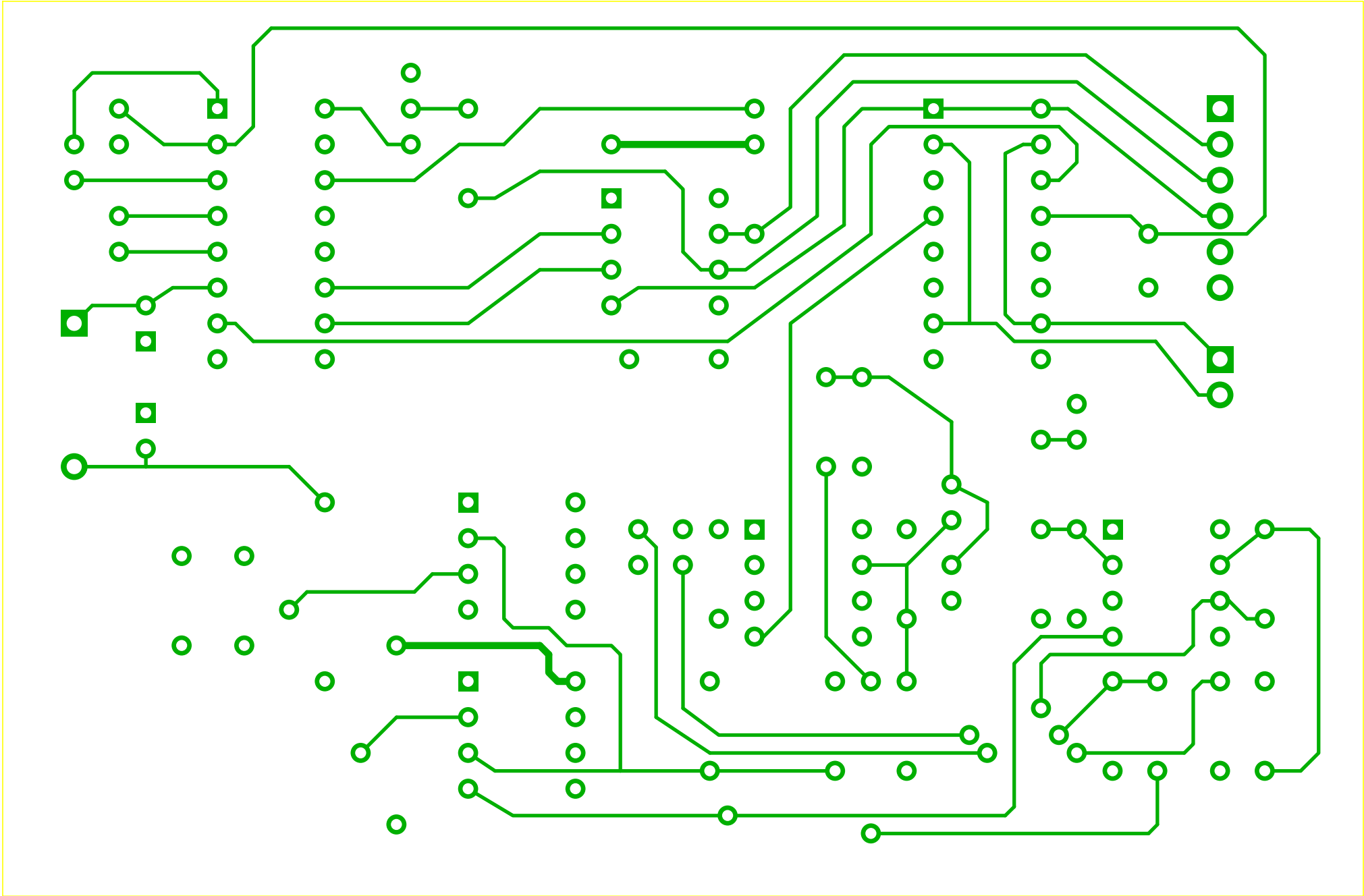


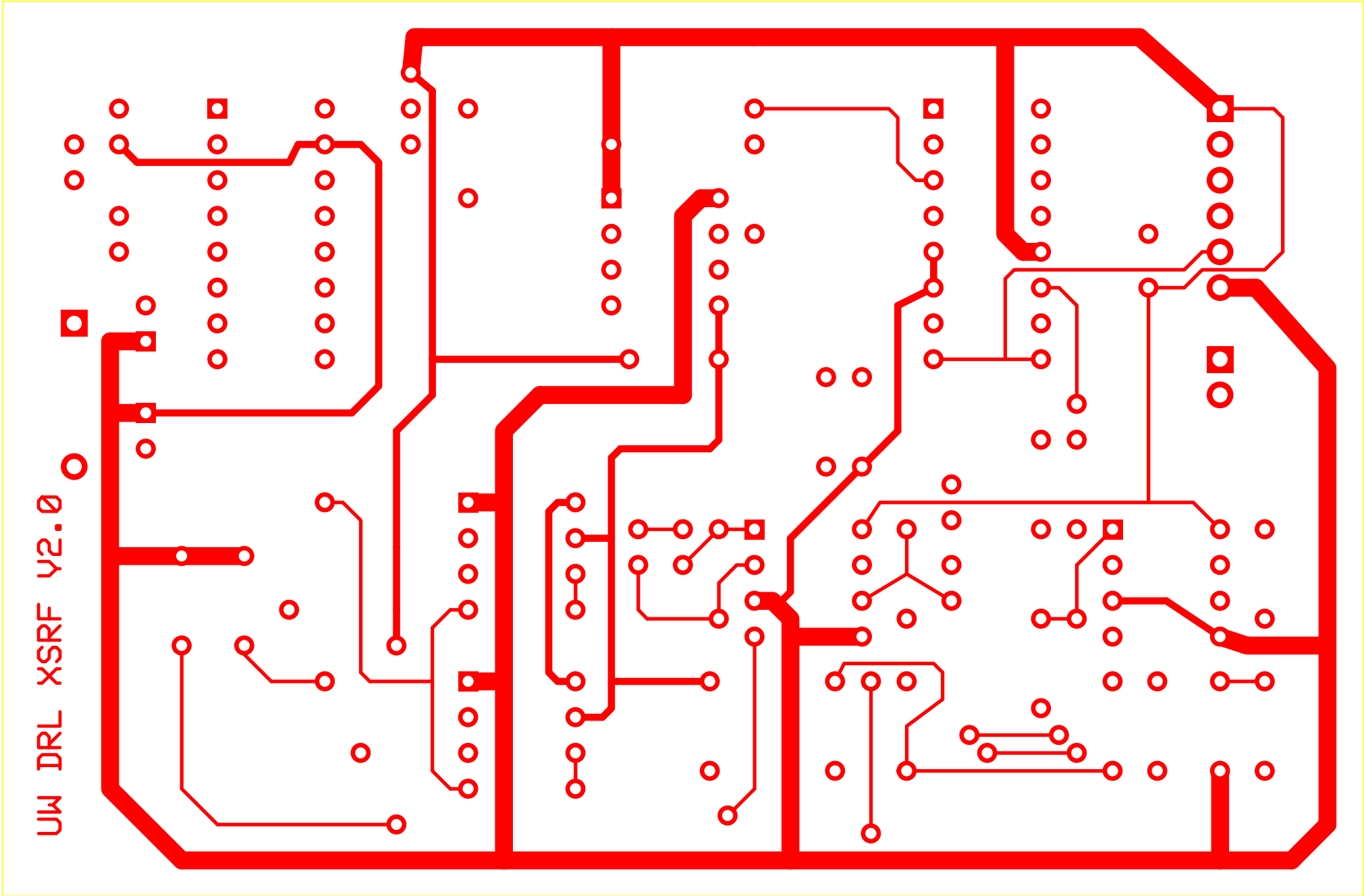
UW DRL XSRF V2.0







XSRFG2\_JCH.pcb (Bottom layer)



UW DRL XSRF V2.0